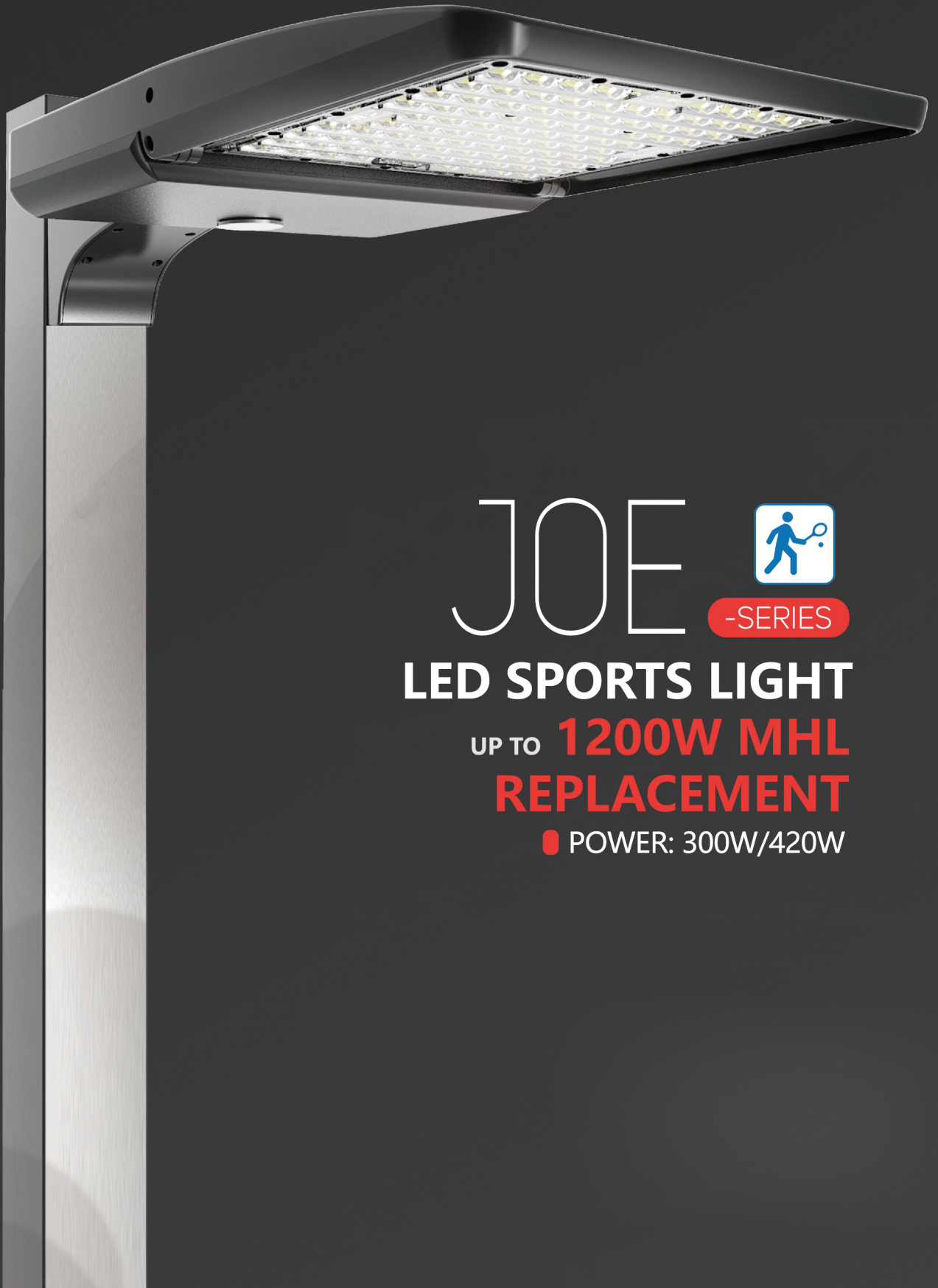


GAMEDAY

L I G H T I N G



JOE



-SERIES

LED SPORTS LIGHT

UP TO **1200W MHL**

REPLACEMENT

● POWER: 300W/420W



LED SPORTS LIGHTING FEATURES

Joe Q420 Tennis Light is a game changer for court lighting applications. The low profile OT series utilizes high performance LEDs and precise optics to produce superior levels of illumination and uniformity. Compared with typical HID court lighting systems, the energy load is reduced by 50%.

- High Performance, full cutoff LED.
- More than 50% Energy Reduction vs. 1000W Metal Halide.
- 50,000 hours expected life.
- Direct retrofit mounting.
- Matching poles & brackets available.
- Light weight for easy installation (23 lbs.) .
- Consistent lumen output over fixture life.
- Instant on and dimmable
- Optional wireless control available.
- Standard 10 -Years warranty.
- Built-in surge protection.
- Photometric tested in accordance with IESNA standards.



SPECIFICATIONS



OPERATING TEMPERATURE – -40° C to +50° C (-40°F to +122°F)

WARRANTY – Joe Qxxx Tennis Light series carry a limited 10 -year warranty.

SHIPPING WEIGHT – 23 lbs./10.5Kg (in carton)

LISTING – Joe Q420 Tennis Light series luminaire have been tested by UL authorized lab in accordance with IESNA LM-79 & LM-80.

Listed to UL 1598 and UL 8750, UL File number: E364473.

FCC certified.

DLC Premium qualified, eligible for rebates.

Suitable for wet locations.

ENERGY SAVING CONTROL OPTION – DIM - 0-10 volt dimming enabled with controls by others.

EXPECTED LIFE – Minimum 50,000 hours depending upon the ambient temperature of the installation location.

LEDS – Select high-brightness LEDs in Warm White, Neutral White or Cool White color temperature, 70 CRI.

DISTRIBUTION/PERFORMANCE– High performance, multi-faceted, reflector provides uniform Forward Throw (FT) distribution with sharp backlight cutoff. Photometric data is tested in accordance with IESNA guidelines

HOUSING – One-piece, die-formed aluminum housing contains factory prewired driver in a gasketed, weather-resistant wiring compartment.

Hinged wiring access door (with safety lanyard) located underneath.

Fixture is IP66 rated.

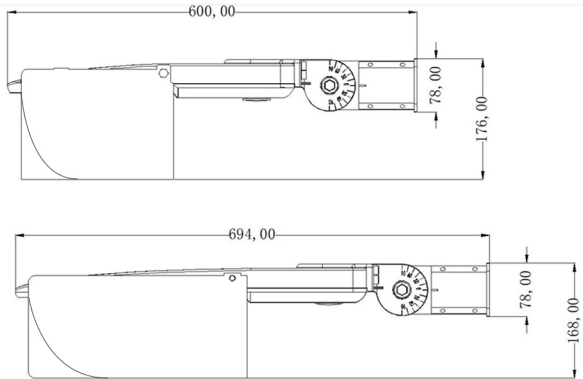
OPTICAL UNIT – Precision engineered lenses made of optical grade Mitsubishi polycarbonate for maximum light intensity. Come standard with field-rotatable optics

MOUNTING – The fixture is furnished with installed stainless steel, threaded mounting studs protruding from the rear of the housing. Stainless steel nuts and washers used to secure the fixture to the bracket are also included

ELECTRICAL – Two-stage surge protection (including separate surge protection built into electronic driver). Available with universal voltage power supply 120-277VAC (50/60Hz input) and 347-480 VAC.

DRIVER – Available in HO (High Output) drive current. Components are fully encased in potting material for moisture resistance. Driver complies with FCC standards. Driver and key electronic components can be easily accessed.

**LIGHT SHIELD
PARAMETERS AND INSTALLATION METHODS**



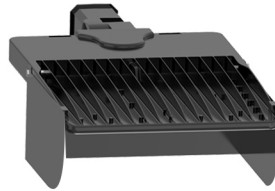
Step1: Align the light shield to the corresponding hole of the lamp body



Step2: Fix it with M8 screws



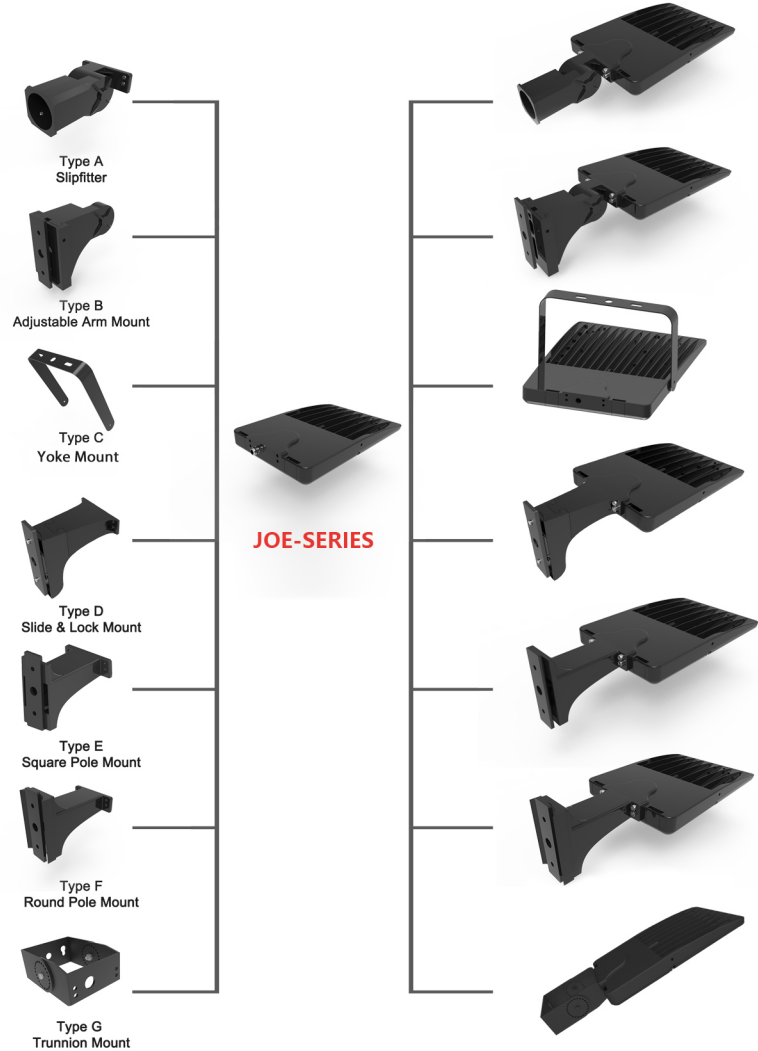
Step3: Hook the hook of the light shield to the lamp body



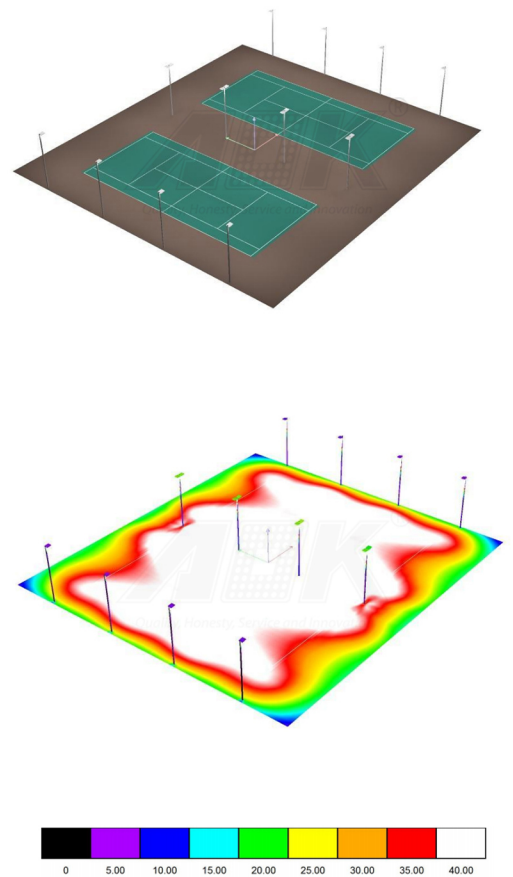
Step4: The installation is complete



MOUNTING OPTIONS

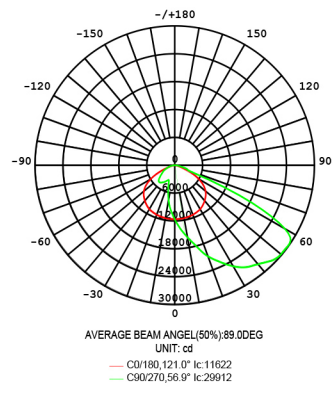
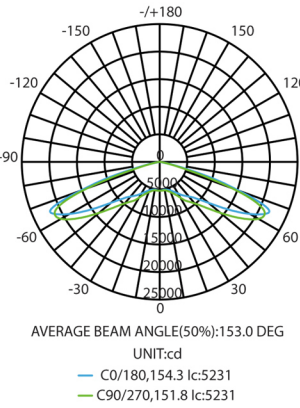
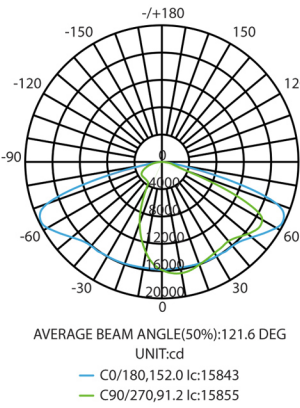
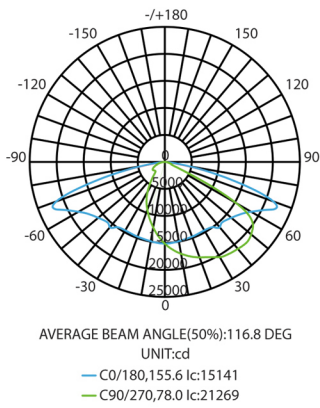


SIMULATION EFFECT



ORDERING INFORMATION

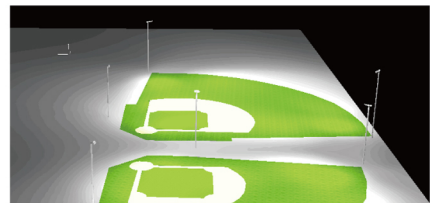
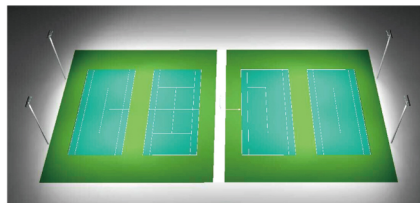
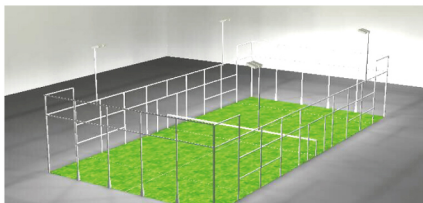
WATT	VOLTAGE	LED CHIPS	SENSOR	CCT&CRI	OPITC	BRACKETS	COLOR
300W 420W	NV=100-277V HV=200-480V	Lumileds 5050	00= Without sensor SN= Sensor PH= Photocell DV=Dimmable	3070= 3000K 70CRI 4070= 4000K 70CRI 5070= 5000K 70CRI 5770= 5700K 70CRI 3080= 3000K 80CRI 4080= 4000K 80CRI 5080= 5000K 80CRI 5780= 5700K 80CRI	T3 = Type III T4 = Type IV T5 = Type V T303=T3VS	A= Slipfitter B= Adjustable Straight Mount C=Yoke Mount D = Slide and Lock Mount E = Non-adjustable straight mount (Square) F=Non-adjustable straight mount (Round) G=Trunnion Mount	BK=Black BZ=Bronze WH=White SG = Silver Grey



TECHNICAL SPECIFICATIONS

MODE	WATTS	REPLACE MHL (170LPW)	LUMINAIRE LUMEN OUTPUT	FIXTURE DIMENSION	NW
Joe Q300	300W	1000W	43500	29*14*3" (739*360*75mm)	23lbs (10.5kg)
Joe Q420	420W	1200W	60060	29*14*3" (739*360*75mm)	23lbs (10.5kg)

Abundant experience in designing lighting systems for outdoor activities including tennis courts, basketball courts, volleyball courts, and skate parks, our products are used in lighting systems for universities, recreation centers, municipalities, and private residences. With multiple fixtures to choose from, we can recommend the right product for your project.



Tennis Court

Tennis Court

Soccer field